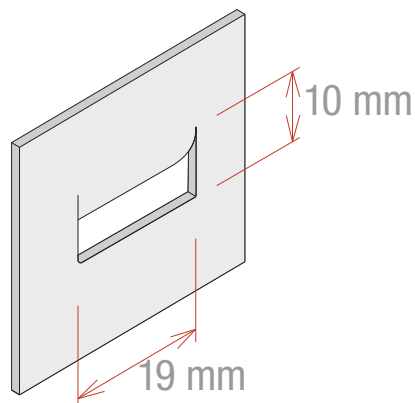
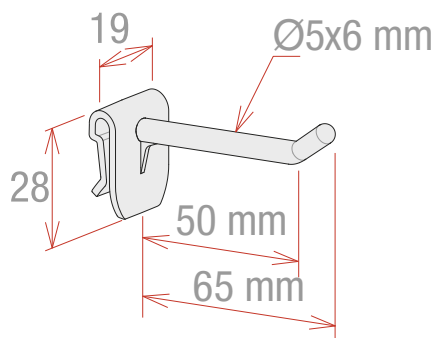
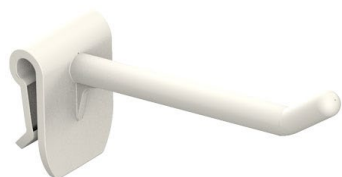


Data sheet

**PLASTIC SINGLE UNIVERSAL CLAMP DISPLAY HOOKS - WHITE L.50 MM**



- Blistered pack holder hook
- Designed to be clipped panel/cardboard up to 4 mm
- Standard colours: black and white



**NB:** Other colours on request



**Recyclable product**

Code	Useful length	Colour
311050WH	50 mm	White

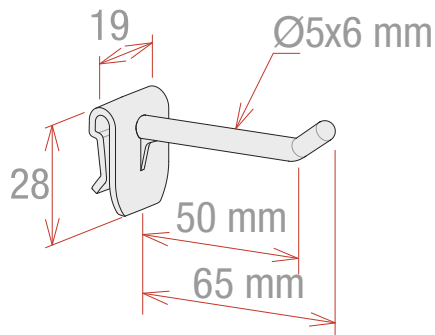
**Synco S.r.l.**

21046 GURONE DI MALNATE (VA) - Via G. Pastore, 30  
Tel. 0332/420.711 (10 linee ric. Autom.) Fax 0332/425.247  
e-mail: pop@syncospa.com

Codice Fiscale N. 03045040379  
Partita IVA N. 01207730126  
C.C.I.A.A. Varese N. 163413 R.E.A.  
Reg.Imp. Di Varese N. 03045040379  
Numero Mecc. VA010424

Data sheet

**PLASTIC SINGLE UNIVERSAL CLAMP DISPLAY HOOKS - BLACK L.50 MM**



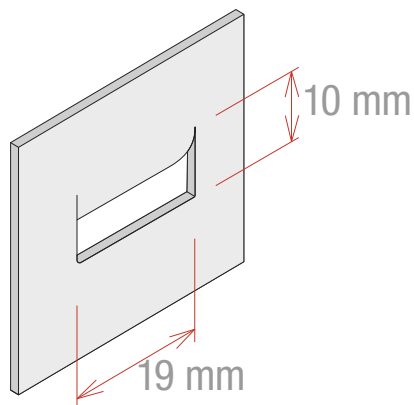
- Blistered pack holder hook
- Designed to be clipped panel/cardboard up to 4 mm
- Standard colours: black and white



**NB:** Other colours on request



**Recyclable product**



Code	Useful length	Colour
311050BK	50 mm	Black

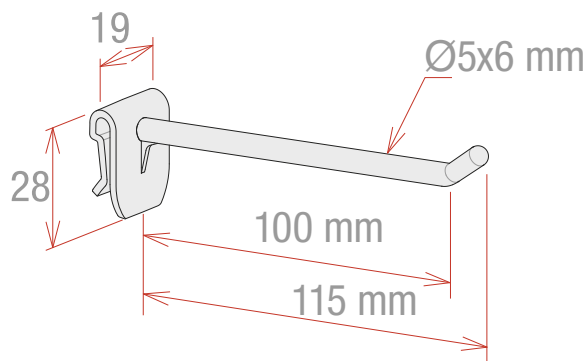
**Synco S.r.l.**

21046 GURONE DI MALNATE (VA) - Via G. Pastore, 30  
Tel. 0332/420.711 (10 linee ric. Autom.) Fax 0332/425.247  
e-mail: pop@syncospa.com

Codice Fiscale N. 03045040379  
Partita IVA N. 01207730126  
C.C.I.A.A. Varese N. 163413 R.E.A.  
Reg.Imp. Di Varese N. 03045040379  
Numero Mecc. VA010424

Data sheet

**PLASTIC SINGLE UNIVERSAL CLAMP DISPLAY HOOKS - WHITE L.100 MM**



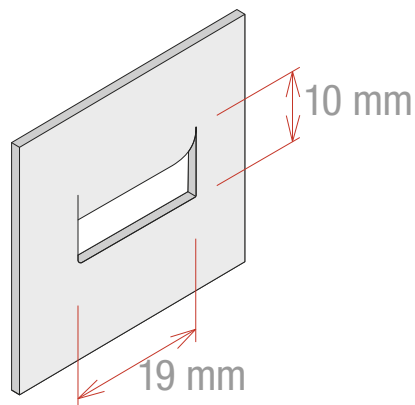
- Blistered pack holder hook
- Designed to be clipped panel/cardboard up to 4 mm
- Standard colours: black and white



**NB:** Other colours on request



**Recyclable product**



Code	Useful length	Colour
311100WH	100 mm	White

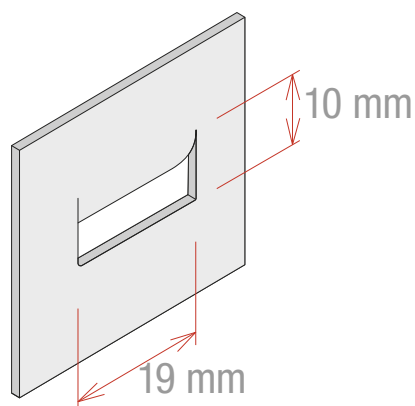
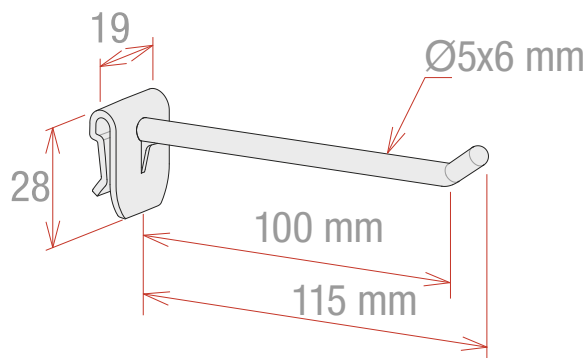
**Synco S.r.l.**

21046 GURONE DI MALNATE (VA) - Via G. Pastore, 30  
Tel. 0332/420.711 (10 linee ric. Autom.) Fax 0332/425.247  
e-mail: pop@syncospa.com

Codice Fiscale N. 03045040379  
Partita IVA N. 01207730126  
C.C.I.A.A. Varese N. 163413 R.E.A.  
Reg.Imp. Di Varese N. 03045040379  
Numero Mecc. VA010424

Data sheet

**PLASTIC SINGLE UNIVERSAL CLAMP DISPLAY HOOKS - BLACK L.100 MM**



- Blistered pack holder hook
- Designed to be clipped panel/cardboard up to 4 mm
- Standard colours: black and white



**NB:** Other colours on request



**Recyclable product**

Code	Useful length	Colour
311100BK	100 mm	Black

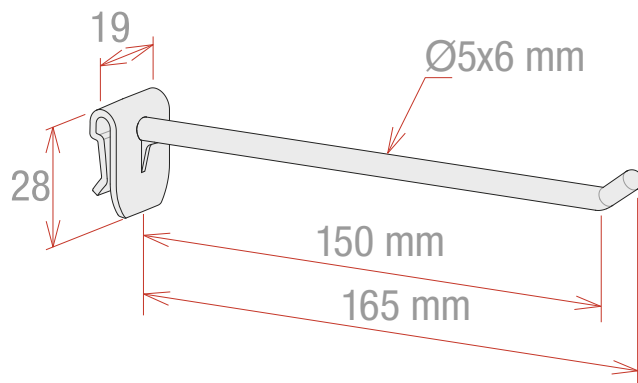
**Synco S.r.l.**

21046 GURONE DI MALNATE (VA) - Via G. Pastore, 30  
Tel. 0332/420.711 (10 linee ric. Autom.) Fax 0332/425.247  
e-mail: pop@syncospa.com

Codice Fiscale N. 03045040379  
Partita IVA N. 01207730126  
C.C.I.A.A. Varese N. 163413 R.E.A.  
Reg.Imp. Di Varese N. 03045040379  
Numero Mecc. VA010424

Data sheet

**PLASTIC SINGLE UNIVERSAL CLAMP DISPLAY HOOKS - WHITE L.150 MM**



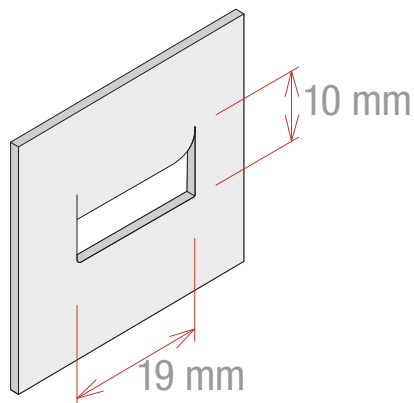
- Blistered pack holder hook
- Designed to be clipped panel/cardboard up to 4 mm
- Standard colours: black and white



**NB:** Other colours on request



**Recyclable product**



Code	Useful length	Colour
311150WH	150 mm	White

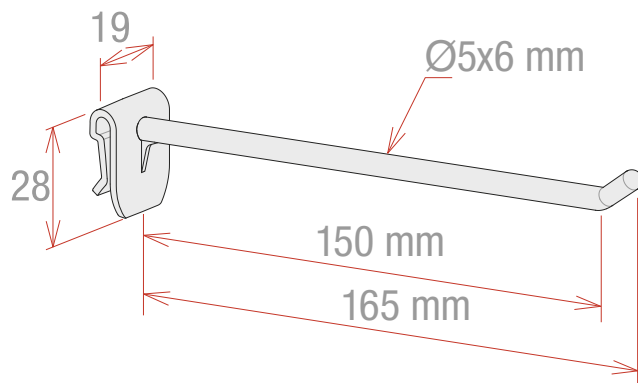
**Synco S.r.l.**

21046 GURONE DI MALNATE (VA) - Via G. Pastore, 30  
Tel. 0332/420.711 (10 linee ric. Autom.) Fax 0332/425.247  
e-mail: pop@syncospa.com

Codice Fiscale N. 03045040379  
Partita IVA N. 01207730126  
C.C.I.A.A. Varese N. 163413 R.E.A.  
Reg.Imp. Di Varese N. 03045040379  
Numero Mecc. VA010424

Data sheet

**PLASTIC SINGLE UNIVERSAL CLAMP DISPLAY HOOKS - BLACK L.150 MM**



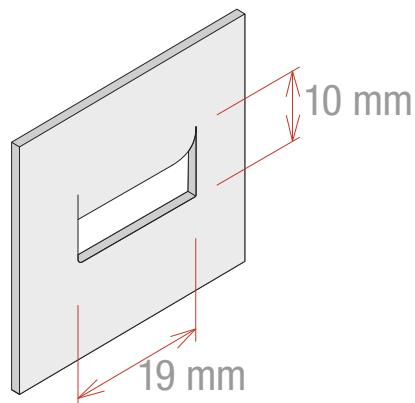
- Blistered pack holder hook
- Designed to be clipped panel/cardboard up to 4 mm
- Standard colours: black and white



**NB:** Other colours on request



**Recyclable product**



Code	Useful length	Colour
311150K	150 mm	Black

**Synco S.r.l.**

21046 GURONE DI MALNATE (VA) - Via G. Pastore, 30  
Tel. 0332/420.711 (10 linee ric. Autom.) Fax 0332/425.247  
e-mail: pop@syncospa.com

Codice Fiscale N. 03045040379  
Partita IVA N. 01207730126  
C.C.I.A.A. Varese N. 163413 R.E.A.  
Reg.Imp. Di Varese N. 03045040379  
Numero Mecc. VA010424